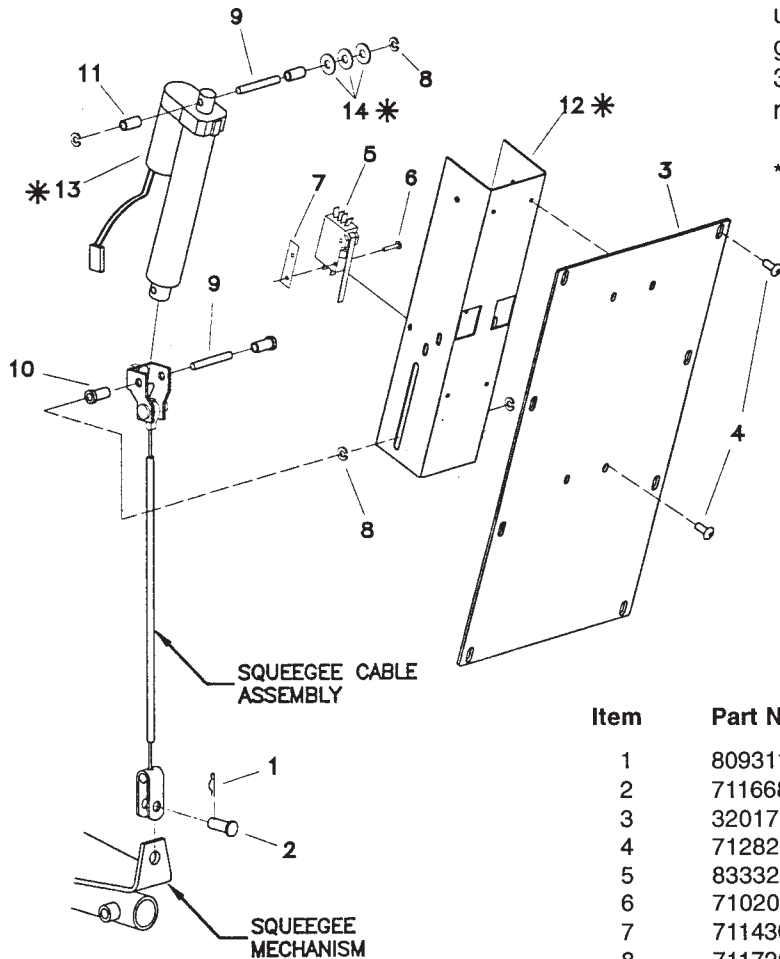


Minuteman®

K320-4 SQUEEGEE ACTUATOR REPLACEMENT KIT



Note 1: New actuator P.N. 320012 can only be used with new actuator support P.N. 320011 (light gray). Use with the old actuator support P.N. 320212 (dark gray) will result in damage to the new actuator.

*Included in K320-4 Kit

PARTS LIST

Item	Part No.	Qty.	Description
1	809311	1	Cotter Pin
2	711668	1	Clevis Pin
3	320176	1	Back Panel
4	712822	12	SCR-MC 10-24 x .50 TH
5	833329	1	Micro Switch
6	710207	2	SCR-MC 6-32 x .88 (See Note 2)
7	711430	1	Tinnerman Cup
8	711720	4	Retaining Ring 1/4 Ext.
9	833294	2	Actuator Pin
10	833286PLT	2	Actuator Bushing Bottom
11	833277PLT	2	Actuator Bushing Top
* 12	320011	1	Actuator Support
* 13	320012	1	Linear Actuator - Squeegee
* 14	711575	3	WSR-Flat .31 x .75 x .06

Note 2: Original screws (item 6) may be longer and require the addition of washers under the head to prevent contact with the actuator.

Minuteman®

World Headquarters
Minuteman International, Inc.
111 South Rohlwing Road
Addison, Illinois 60101

Minuteman Canada, Inc.
2210 Drew Road
Mississauga, Ontario
L5S 1B1

(630) 627-6900
FAX (630) 627-1130

(905) 673-3222
FAX (905) 673-5161

999195
Printed in U.S.A.

REMOVAL OF THE OLD ACTUATOR AND ACTUATOR SUPPORT SAVE ALL OTHER PARTS FOR REUSE

1. Detach the squeegee cable assembly from the squeegee mechanism by removing the cotter pin (1) and clevis pin(2).
2. Remove the pack panel (3) from the machine by loosening the eight mounting screws (4).
3. Note the location of the wires attached to the micro switch (5). Disconnect the wires to the switch and the old actuator.
4. Remove the micro switch (5) by loosening the 2 screws (6) from the tinnerman clip (7).
5. Detach the bottom of the old actuator from the squeegee cable assembly and the old actuator support by removing one of the retaining rings (8) from the end of the actuator pin (9). Save the two bottom actuator bushings (10).
6. Detach the top of the old actuator from the old actuator support by removing one of the retaining rings (8) from the end of the actuator pin (9). Save the two top actuator bushings (11).
7. Detach the old actuator support from the back panel (3) by removing the four mounting screws (4).

INSTALLATION OF THE NEW ACTUATOR AND ACTUATOR SUPPORT

1. Attach the actuator support (12) to the back panel (3) using four screws (4).
2. Attach the top of the actuator (13) to the actuator support (12) using an actuator pin (9), two top actuator bushings (11), three flat washers (14) and two retaining rings (8) as shown.
3. Attach the bottom of the actuator (13) to the squeegee cable assembly and the actuator support (12) using an actuator pin (9), two bottom actuator bushings (10) and two retainer rings (8) as shown.
4. Mount the micro switch (5) to the actuator support (12) using two screws (6) and a tinnerman clip (7). **Note:** The micro switch must mount on the same side as the three washers (14) installed on the upper actuator pin (9).
5. Connect the wires to the micro switch (5) and actuator (13) as noted during disassembly.
6. Attach the back panel (3) to the machine using eight screws (4).
7. Attach the squeegee cable assembly to the squeegee mechanism using a clevis pin (2) and cotter pin (1).